

UL[®]

RATED HEAT SHRINK TUBING



POLYOLEFIN SINGLE WALL TUBING • POLYOLEFIN DUAL WALL TUBING

www.HeatshrinkDirect.net



CB-HFT(600) UL/CUL NON-ADHESIVE HEAT SHRINKABLE TUBING

CB-HFT(600) is UL/CUL rated halogen-free, flexible, flame-retardant polyolefin 2:1 heat shrinkable tubing. This tubing is low smoke generating, abrasion resistant and in case of burning, produces no dioxin. CB-HFT tubing is widely used in enclosed areas where a flame-retardant, halogen-free environment is required. It is perfect for electrical and electronics applications and has uses in fields such as aerospace, automotive, construction, power delivery, and mass transit vehicles including buses, trains, airplanes, and marine vessels.



**Certifications: UL, CUL, F-mark,
Sony Green Partner**

SPECIFICATIONS

Specifications of HFT(600):

Item	Specifications	
Shrink Temperature (C)	90C	
Operating Temperature Range (C)	125C	
Radial Shrinking Ratio (%)	≥50	
Longitudinal Change (%)	≤±5	
Tensile Strength (Mpa)	≥10.4	
Elongation at break (%)	≥200	
Aging in Circulating-air Oven	158.0±1.0°C, 168hrs	
After aging	Tensile Strength (Mpa)	≥7.3
	Elongation at break (%)	≥100
Volume Resistance (Ω .cm)	≥10 ¹⁴	
Dielectric Strength at 1 min, AC2500V	No breakdown	
Heat shock	No cracking	
Flammability	VW-1	
Concentricity (%)	≥70	



SIZING

Size (Inches) (Reel Size in feet)	As Supplied (inches)		After Recovery (inches)	
	MIN ID	WALL	MAX ID	WALL
1/16 (500 ft)	.062	.0078±.003	≤.0313	.0157±.0024
3/32 (500 ft)	.093	.0078±.003	≤.0469	.0165±.0032
1/8 (500 ft)	.125	.0098±.004	≤.0625	.0181±.0032
3/16 (250 ft)	.187	.0098±.004	≤.0938	.0196±.0039
1/4 (250 ft)	.25	.0110±.004	≤.125	.0220±.0039
5/16 (250 ft)	.313	.0118±.004	≤.157	.0228±.0039
3/8 (200 ft)	.375	.0118±.004	≤.1875	.0236±.0039
1/2 (200 ft)	.50	.0141±.005	≤.25	.0256±.0047
5/8 (200 ft)	.625	.0141±.005	≤.313	.0275±.0047
3/4 (100 ft)	.75	.0157±.006	≤.375	.0295±.0047
1 (100 ft)	1	.0157±.006	≤.50	.0354±.0059
1-1/2 (100 ft)	1.5	.0216±.009	≤.75	.0433±.0098
2 (100 ft)	2	.0236±.009	≤1	.0472±.0098
3 (100 ft)	3	.0275±.012	≤1.5	.0571±.0098
4 (100 ft)	4	.0275±.012	≤2	.0571±.0098

Other sizes are available upon special order.

Part numbers for above products are CB-HFT600-(Dia. Size)-(Color)-(Reel Size), for example, CB-HFT600-1/2-BK-200 would be HFT600 series, in a 1/2" diameter, in black, on a standard 200 foot reel. 1/8" through 3/8" are available in a Flat style (option) for easier use with printers.



CB- DWT (2X)(3X)(4X) UL/CUL ADHESIVE LINED HEAT SHRINKABLE TUBING

CB-DWT(2X)(3X)(4X) is 2:1, 3:1 and 4:1, UL/CUL rated, adhesive-lined, flexible, halogen-free and flame-retardant polyolefin heat shrinkable tubing which is ROHS compliant and meets Sony's environment related substance requirements. This tubing has good mechanical strength and provides protection from fluids, moisture and corrosion. CB-DWT is used in a wide variety of electrical applications, including back end connector sealing, breakouts, and connector-to-cable transitions. High expansion ratio makes it possible to repair most damaged cable jackets without removing connectors.



Certificate: UL, CUL, F-mark, Sony Green Partner

SPECIFICATIONS

Specifications of DWT(2X), DWT(3X) and DWT(4X):

Item	Specifications	
Shrink Temperature(C)	110°C	
Operating Temperature Range(C)	-55°C—125°C	
Tensile Strength (Mpa)	≥10.4	
Elongation at break (%)	≥200	
Radial shrinking ratio (%)	≥50	
Longitudinal Change (%)	≤10	
Aging in Circulating-air Oven	158.0±1.0°C, 168hrs	
After Aging	Tensile Strength (Mpa)	≥7.3
	Elongation at break(%)	≥100
Dielectric Strength at 1min, AC2500V	No breakdown	
Volume Resistance (Ω cm)	≥10 ¹³	
Flammability	VW-1	
Water Absorption (%)	Less than 0.4%	
Fluid Resistance	Excellent	
(Copper Corrosion)	(No Corrosion)	
Softening Point of Meltable Liner (°C)	120±5	
Peel Strength of Meltable Liner (N/25mm)	>80	



SIZE OF DWT (2X)

Size(Inch)	As Supplied		After Recovery		
	Min ID (inches)	Nominal Wall (inches)	Max ID (inches)	Total Wall (inches)	Nominal Adhesive Wall(inches)
1/16	.0625	.0118	.03125	.0177±.0047	.0078
3/32	.09375	.01378	.046875	.02165±.0047	.0118
1/8	.125	.01575	.0625	.02362±.006	.0118
3/16	.1875	.01575	.09375	.02953±.006	.01378
1/4	.25	.01575	.125	.02953±.006	.01378
3/8	.375	.01575	.1875	.0315±.0079	.01378
1/2	.5	.01575	.25	.0315±.0079	.01378
3/4	.75	.01969	.375	.0374±.0110	.01578
1	1	.01969	.5	.04528±.0110	.0177
1 -1/2	1.5	.0256	.75	.04921±.0161	.0177

SIZE OF DWT (3X)

Size (Inch)	As Supplied		After Recovery		
	Min ID (inches)	Nominal Wall (inches)	Max ID (inches)	Total Wall (inches)	Nominal Adhesive Wall (inches)
1/8	.125	.01575	.04167	.03346±.011	.01378
3/16	.1875	.01575	.0625	.04134±.011	.01772
1/4	.25	.0177	.08333	.04331±.011	.01772
3/8	.375	.0236	.125	.05709±.011	.01772
1/2	.5	.0236	.1667	.05906±.0145	.01772
3/4	.75	.0295	.25	.07874±.0217	.02559
1	1	.0295	.3333	.07874±.0217	.02559
1 1/4	1.25	.0315	.4167	.08661±.0217	.02953
1 1/2	1.5	.03346	.5	.10±.0217	.03937
2	2	.03937	.6667	.10±.0217	.03937

SIZE OF DWT (4X)

Size (mm)	As Supplied (Expanded)		After Recovery (Recovered)	
	Min ID(mm)	Max ID(mm)	Total Wall (mm)	Nominal Adhesive Wall (mm)
4/1	4	1	1.10±0.3	0.50
8/2	8	2	1.10±0.3	0.50
12/3	12	3	1.40±0.3	0.61
16/4	16	4	1.8±0.3	0.76
24/6	24	6	2.25±0.55	0.76
32/8	32	8	2.54±0.55	1.02
52/13	52	13	2.60±0.55	1.02



HEAT SHRINK PROCESSING MACHINES THAT USE HALOGEN LIGHT SOURCE

FOCUS-LITE 10

Specifications

Shrink Length: up to 1.0"

Largest Work Piece Diameter: 5/8"

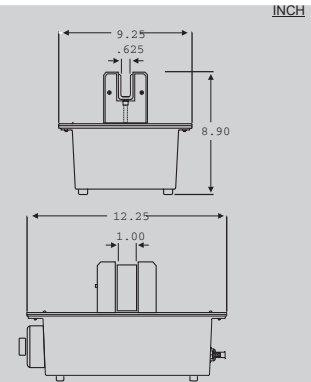
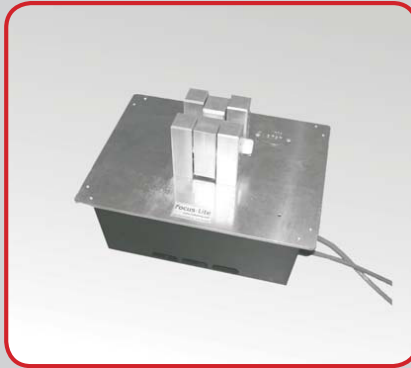
Includes: Dimmer Switch, Adjustable Timer, Glare Shield, 6' power cord w/GFCI Activation: Foot pedal

Energy Used: 146 watts (avg.) / 125VAC

Bulb: Commercial quality Quartz Halogen

Avg. Shrink Time: 2-4 Seconds (polyolefin)

Ship Weight: 20lbs.



Contact actoryr or exactd imensions andn pefications.

FOCUS-LITE™30

Specifications

Shrink Length: up to 2.25"

Largest Work Piece Diameter: 5/8"

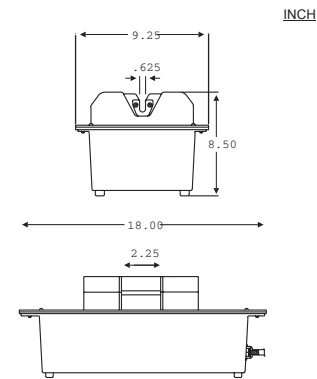
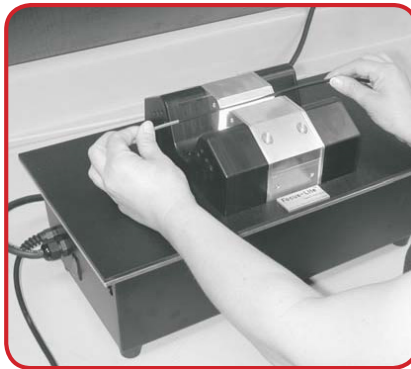
Includes: Dimmer Switch, Adjustable Timer, Glare Shield, 6' power cord w/GFCI Activation: Foot pedal

Energy Used: 146 watts (avg.) / 125VAC

Bulb: Commercial quality Quartz Halogen

Avg. Shrink Time: 2-4 Seconds (polyolefin)

Ship Weight: 40lbs.



Contact actoryr or exactd imensions andn pefications.

FOCUS-LITE™80

Specifications

Shrink Length: up to 8.0"

Largest Work Piece Diameter: 5/8"

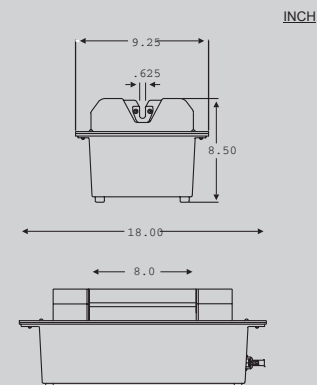
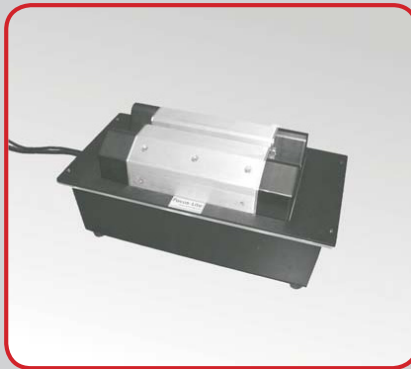
Includes: Dimmer Switch, Adjustable Timer, Glare Shield, 6' power cord w/GFCI Activation: Foot pedal

Energy Used: 300 watts (avg.) / 125VAC

Bulb: Commercial quality Quartz Halogen

Avg. Shrink Time: 2-4 Seconds (polyolefin)

Ship Weight: 40lbs.

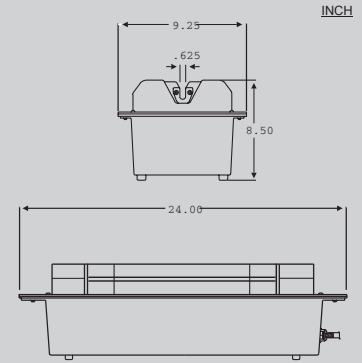


Contact actoryr or exactd imensions andn pefications.

FOCUS-LITE™ 160

Specifications

Shrink Length: From 1.0" - 16.0"
 Largest Work Piece Diameter: 5/8"
 Includes: Dimmer Switch, Adjustable Timer, Glare Shield, 6' power cord w/GFCI
 Activation: Foot pedal
 Energy Used: 146 watts (avg.) / 125VAC
 Bulb: Commercial quality Quartz Halogen
 Avg. Shrink Time: 2-4 Seconds (polyolefin)
 Ship Weight: 25lbs. to 40lbs.

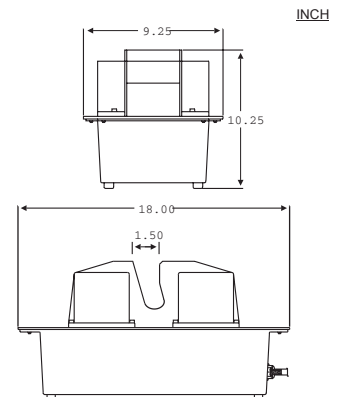
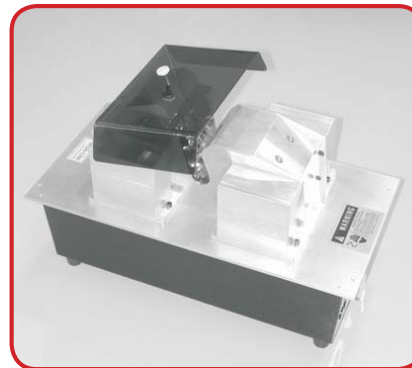


Contact factory for exact dimensions and specifications.

FOCUS-LITE™ G2

Specifications

Shrink Length: up to 3.0"
 Largest Work Piece Diameter: 1.5"
 Includes: Dimmer Switch, Adjustable Timer, Glare Shield, 6' power cord w/GFCI
 Activation: Foot pedal
 Energy Used: 300 watts (avg.) / 125VAC
 Bulb: Commercial quality Quartz Halogen
 Avg. Shrink Time: 2-4 Seconds (polyolefin)
 Ship Weight: 40lbs.

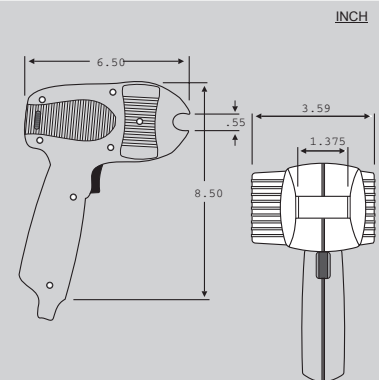


Contact factory for exact dimensions and specifications.

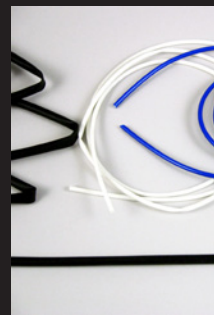
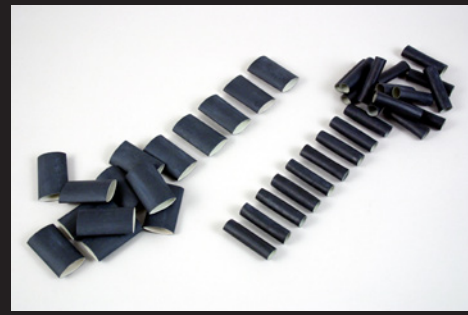
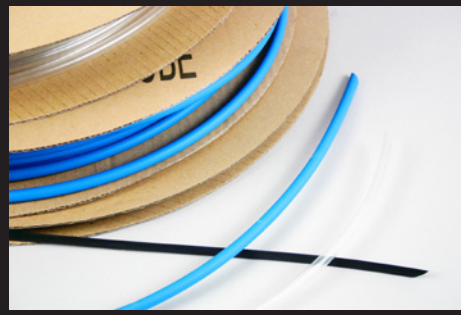
FOCUS-LITE G3 - HAND HELD

Specifications

Shrink Length: up to 1.375"
 Largest Work Piece Diameter: 5/8"
 Includes: Dimmer Switch, Adjustable Timer, 6' power cord w/GFCI
 Activation: Trigger switch
 Energy Used: 120 watts (avg.) / 125VAC
 Bulb: Commercial quality Quartz Halogen
 Avg. Shrink Time: 2-4 Seconds (polyolefin)
 Ship Weight: 4lbs.



Contact factory for exact dimensions and specifications.



Heat Shrink Direct

6170 Commerce Dr. | Westland, MI 48185

T 231.599.9956 | F 231.599.2965

www.HeatShrinkDirect.net